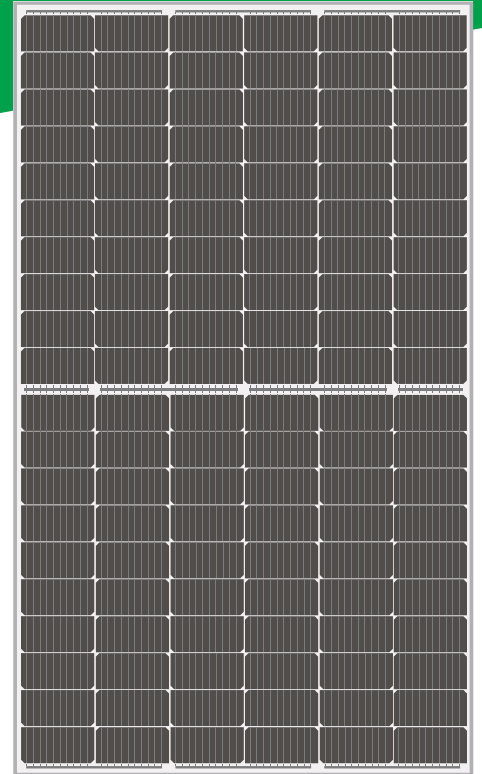


**ECO GREEN ENERGY**  
Building a Greener World

# ATLAS by Eco Green Energy

## 440-460W

M10 / 182 mm Cell - 120 Half-cell



French Quality Module

Founded in 2008, Eco Green Energy is a french brand solar PV manufacturer and distributing now its PV module in more than 60 countries over the world. Atlas series solar modules are made only with grade A cells for highest power generation, lowest LCOE, and ensured more than 25 years lifespan.

### KEY FEATURES



Gallium-doped Technology



Lower LCOE and BOS



Anti PID/ Low LID protection



Less Hot Spot Shading effects



Lower temperature coefficient

**120-Cell**

MONOCRYSTALLINE MODULE

**21.25%**

MAXIMUM EFFICIENCY

**0~+5W**

POSITIVE POWER TOLERANCE

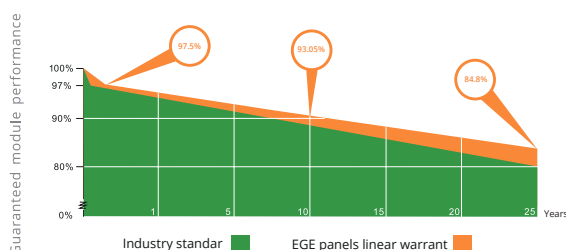
**GRADE A**

CELLS GUARANTEED



### LINEAR PERFORMANCE WARRANTY

12-Year Product Warranty · 25-Year Linear Power Warranty



### COMPREHENSIVE CERTIFICATES

IEC 61215/ IEC 61730 / IEC 61701 / IEC 62716  
ISO 9001 : Quality Management Systems



Eco Green Energy Group Ltd. 2018. All rights reserved.  
Add: 299 Xing Cheng Road, Chong Chuan District, Nantong, Jiangsu, China  
Tel: +86 513 66690088 / E-mail: info@eco-greenenergy.com

Facebook: [www.facebook.com/EGE.Nantong](http://www.facebook.com/EGE.Nantong)  
LinkedIn: [www.linkedin.com/company/eco-green-energy/](http://www.linkedin.com/company/eco-green-energy/)  
Website: [www.eco-greenenergy.com](http://www.eco-greenenergy.com)



### ELECTRICAL DATA AT STC\*

Power output (Pmax)	440 W	445 W	450 W	455 W	460 W
Power tolerance	0~+5 W	0~+5 W	0~+5 W	0~+5 W	0~+5 W
Module efficiency	20.33 %	20.56 %	20.79 %	21.02 %	21.25 %
Maximum power voltage (Vmp)	33.64 V	33.79 V	33.94 V	34.08 V	34.23 V
Maximum power current (Imp)	13.08 A	13.17 A	13.26 A	13.35 A	13.44 A
Open circuit voltage (Voc)	40.88 V	41.02 V	41.17 V	41.31 V	41.45 V
Short circuit current (Isc)	13.67 A	13.76 A	13.85 A	13.94 A	14.03 A

\*Standard Test Conditions: Irradiance: 1 000 W / m<sup>2</sup> • Cell temperature: 25°C • AM: 1.5

### ELECTRICAL DATA AT NMOT\*

Power output (Pmax)	328.08 W	331.80 W	335.53 W	339.26 W	342.99 W
Maximum power voltage (Vmp)	31.54 V	31.68 V	31.82 V	31.95 V	32.09 V
Maximum power current (Imp)	10.39 A	10.46 A	10.53 A	10.60 A	10.67 A
Open circuit voltage (Voc)	37.91 V	38.04 V	38.18 V	38.31 V	38.44 V
Short circuit current (Isc)	11.11 A	11.19 A	11.26 A	11.33 A	11.41 A

\*Nominal Operating Cell Temperature: Irradiance: 800 W / m<sup>2</sup> • Ambient temperature: 20°C  
• AM: 1.5 • Wind speed: 1 m/s

### MECHANICAL CHARACTERISTICS

Cell type	Monocrystalline (182x91 mm)
Number of cells	120
Dimensions	1909x1134x35mm (1.5mm Cell Gap)
Weight	23.9 kg
Glass	3.2 mm tempered glass, High transmission (>94%), Anti-Reflective Coating
Frame	Anodized aluminium alloy
Junction box	IP68 rated (3 by pass diodes)
Cable	4.0mm <sup>2</sup> ; 300mm(+) / 400mm(-) ; Length can be customized
Connector	MC4 or MC4 compatible
Max front load (e.g.: snow)	5400 Pa
Max back load (e.g.: wind)	2400 Pa

### TEMPERATURE CHARACTERISTICS

NMOT	45°C ±2 °C
Temperature coefficient of Pmax	-0.35%/°C
Temperature coefficient of Voc	-0.28%/°C
Temperature coefficient of Isc	+0.048%/°C

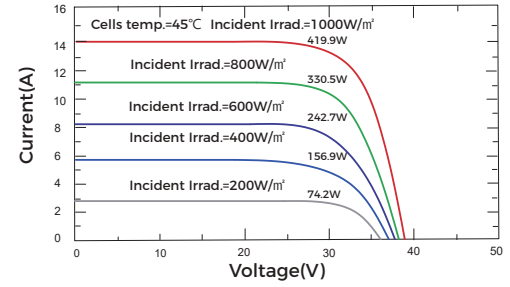
### MAXIMUM RATINGS

Operating temperature range	-40 °C ~+85 °C
Maximum system voltage	1500 DC (IEC) 1500 DC (UL)
Max series fuse rating	25 A

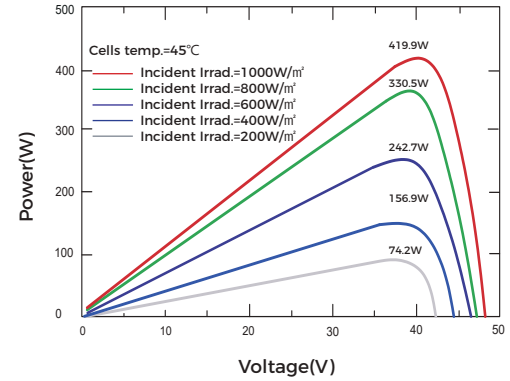
### PACKAGING (1909x1134x35mm)

Type	Pcs	Weight
Per Pallet	31 pcs	780 kg
40ft HQ Container	744 pcs	18.72 t

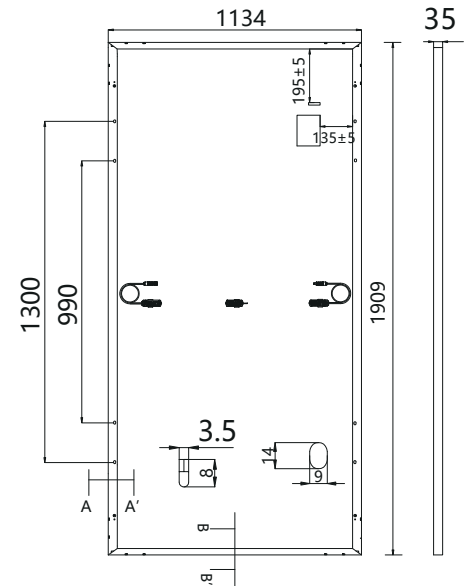
### PV MODULE : EGE-450W-120M(M10)



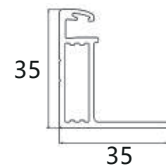
### PV MODULE : EGE-450W-120M(M10)



### Dimension of PV Module (mm)



### Frame Cross Section A-A



### Frame Cross Section B-B

